

FOLDWAY SHUTTERS AND NOT RETURN WITH EQUALIZER



SASB Ø 140÷600 mm

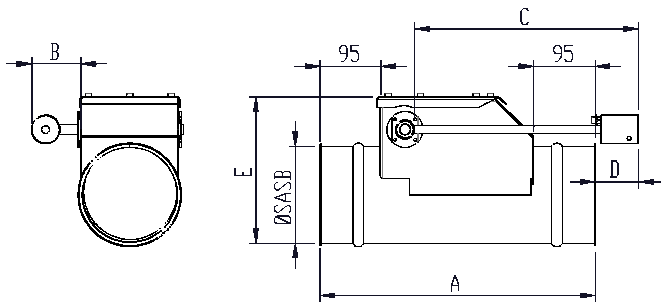
TECHNICAL DATA

Galvanized or stainless steel.

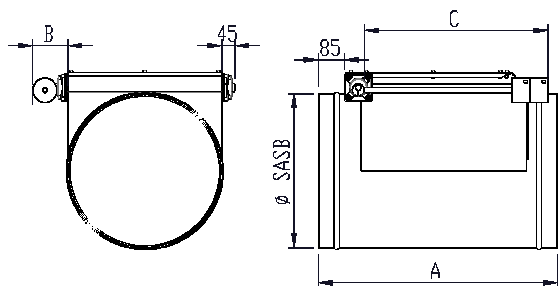
The foldway shutters have the virtue to leave completely free the section of passage in open position.

The pin rotates on brass until Ø480, bigger diameters on bearing. Standard with edges. Maximum air speed: 35 m/s.

ØSASB (mm)	Ø Pin (mm)	Diaphragm thickness (mm)	Body thickness (mm)	Rotation on
140÷180	16	3	1,5	brass
200÷280	16		1,5	
300÷480	16		1,5	
500÷600	20	4	3	bearing



SASB Ø140÷480



SASB Ø500÷600

ØSASB (mm)	A(mm)	B(mm)	C(mm)	D(mm)	E(mm)	Ø weight	Q.ty counter-	Kg
150	430	80	350	68	227	45	1	6/7
200	480	80	400	68	272	45	1	10/11
250	530	95	450	68	322	80	1	13/15
300	580	95	500	68	372	80	1	18/21
350	630	95	550	68	422	80	1	22/26
400	680	95	600	68	472	80	1	27/31
450	730	95	650	68	522	80	1	30/34
500	780	115	600	-	570	80	2	54/62
550	830	115	650	-	620	80	2	70/78
600	880	115	700	-	670	80	2	80/90