

SUCTION PIPE WITH SPRING CLOSING

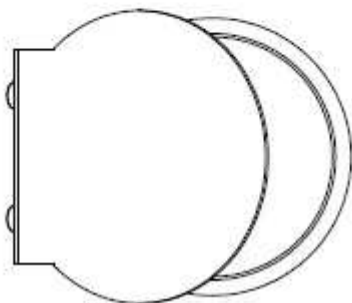
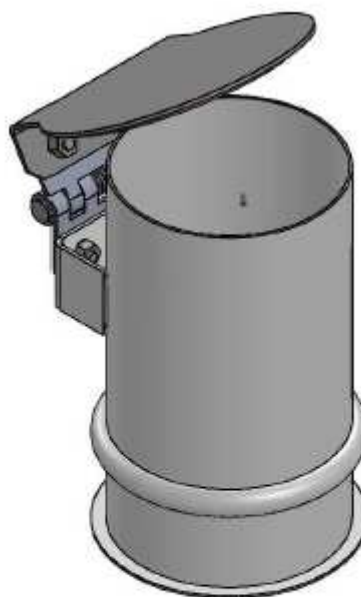
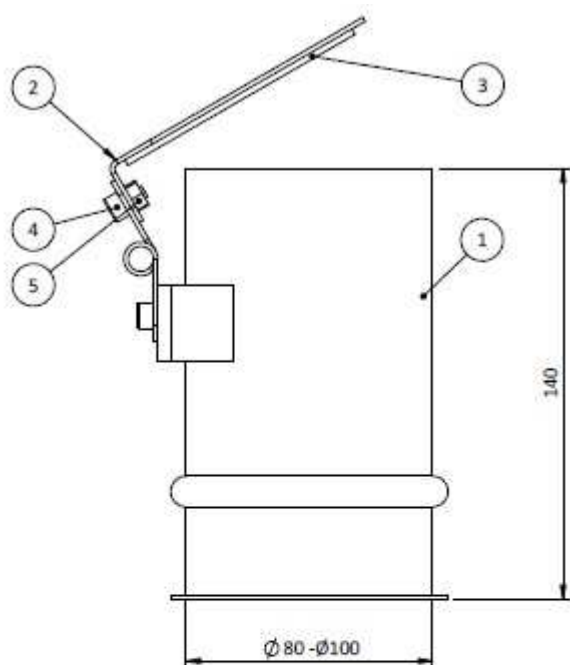
BACM

The suction pipe is designed for the cleaning of the machines, floors or other upon a rapid insert of a flexible hose.
The gasket on the top and the closing spring grant the sealing of the suction system when the pipe is closed.
The pipe can be equipped by a micro switch for the starter of the aspiration with the opening con l'apertura della stessa

TECHNICAL FEATURES:

Material: Zinc Plated
Thickness: 1mm
Available diameters: 80mm – 100mm
Total height 143mm
Edges: present
Veining: present

ACCESSORIES



DISTINTA MATERIALE		
ID	Descrizione	Q.tà
1	Assieme corpo bocchetta e cavallotto BACM	1
2	Tappo BACM	1
3	Guarnizione AERSTOP 10x2mm per tappo BACM	1
4	Vite TCEI M5x8 ZN ISO 4762	4
5	Dado esagonale M5	4
6	Cerniera a molla 120° inox	1